

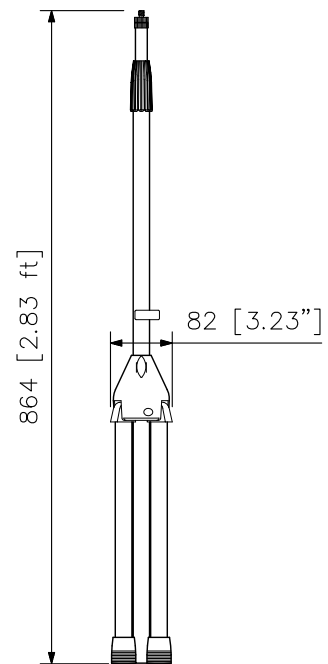
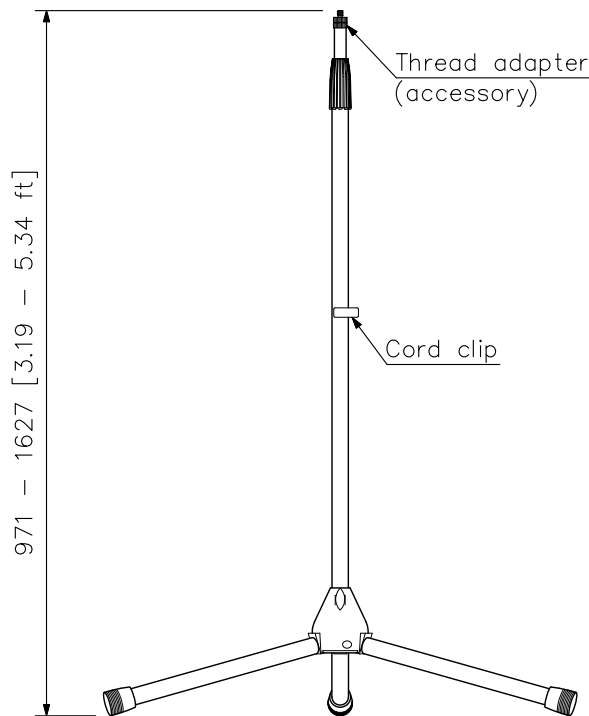
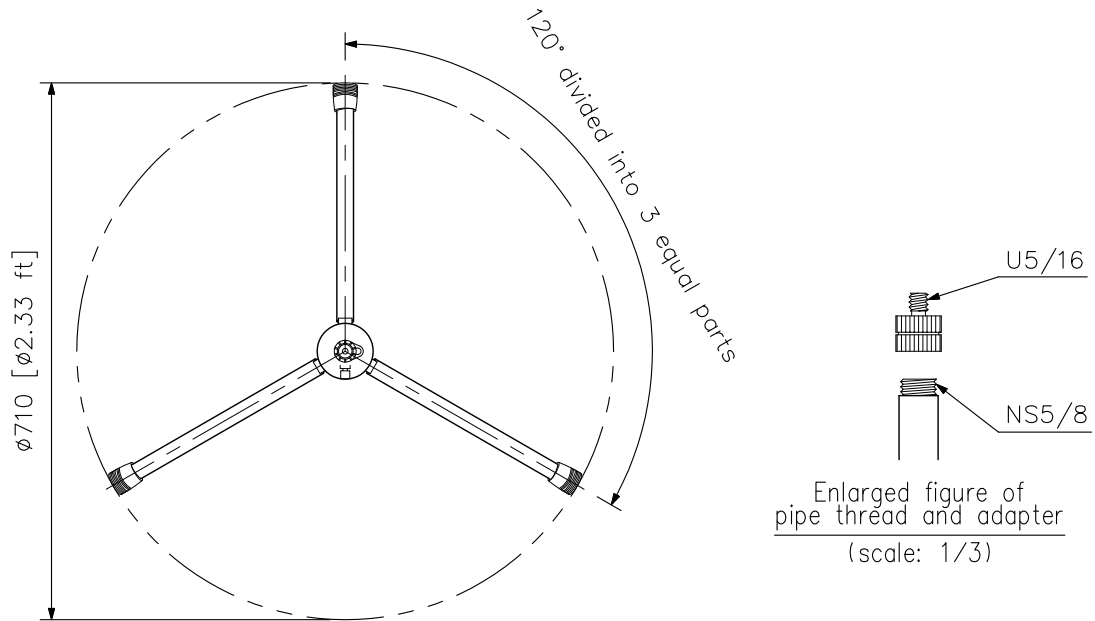
DESCRIPTION

The ST-322B is a two-step telescopic floor microphone stand with foldable legs.

SPECIFICATIONS

Enlarged Extensible Length	971 – 1627 mm (3.19 – 5.34 ft)
Mounting Screw	NS5/8 (pipe thread), U5/16 (adapter)
Finish	Steel pipe for general use, black, mat finish, paint
Weight	2.2 kg (4.85 lb)
Accessory	Thread adapter ...1

APPEARANCE



UNIT:mm SCALE:1/10